

CHAACH TANK SHEET (CAP: 4000- 6000 LTR)

MOC

INNER SHELL:	3 MM SS 304
OUTER JACKET:	2 MM SS 304
DIMPLE JACKET:	1.6 MM SS 304
TOP LOOSE COVER:	2 MM SS 304

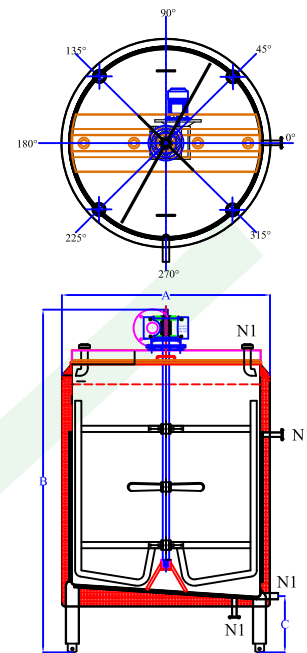
NOTE- CAN ALSO BE SUPPLIED WITH SS 316

TECHNICAL DATA

	INNER SHELL PRESSURE (BAR)	DIMPLE JACKET PRESSURE (BAR)
TEST	ATM	6 (MAX)
WORK	ATM	4 (MAX)

INSULATION

CAPACITY (LTR)	TYPE	THICKNESS (MM)
4000	ROCK WOOL	75
5000	ROCK WOOL	100
6000	ROCK WOOL	100



NOZZLES & ACCESSORIES

PRODUCT INLET	38 / 51 MM	SMS UNION
PRODUCT OUTLET	38 / 51 MM	SMS UNION
STEAM / HOT WATER INLET	25 NB	FLANGE
CONDENSATE / HOT WATER OUTLET	25 NB	FLANGE

N1- PRODUCT INLET
N2- PRODUCT OUTLET
N3- STEAM / HOT WTR INLET
N4- COND. / HOT WTR OUTLET

AGITATOR , MOTOR DATA

OVER ALL DIMENSIONS (MM)

CAPACITY (LTR)	MOTOR POWER (HP)	GEAR BOX MODEL	AGITATOR SPEED (RPM)	A	B	C	SHELL -ID	SHELL -HEIGHT	NO. OF LEGS
4000	5	ALM-110	36	1810	3385	400	1650	2000	4
5000	5	ALM-110	36	2010	3385	400	1800	2000	4
6000	5	ALM-110	36	2010	3785	400	1800	2400	4

OPTIONS

★ CAN ALSO BE SUPPLIED WITH -

- 1- SLOPE BOTTOM
- 2-DISH END BOTTOM.
- 3-CONICAL TOP / DISH END WITH MAN HOLE.
- 4- BAFFLE PLATE TO BREAK THE VERTIX.

★ SPEED OF AGITATOR CAN ALSO CHANGE IF REQUIRED BY PROCESS CONDITIONS.

ADDITIONAL ACCESSORIES

- ★ CIP CONNECTION IN CASE OF CLOSE TOP WITH MAN HOLE.
- ★ LEVEL INDICATOR / SENSOR.
- ★ TEMPERATURE INDICATOR AND SENSORS.